



End Launch Connectors (to 110 GHz)



PRODUCTS



[PRODUCT FINDER](#)

PRODUCT INFORMATION

- » [Specifications](#)
- » [Installation Procedure](#)
- » [End Launch Connector Dimensions](#)
- » [Model Numbers](#)
- » [Typical Test Data — Coplanar](#)
- » [Typical Test Data — Microstrip](#)

- » [Super SMA Connectors](#)
- » [N Connectors](#)
- » [TNC Connectors](#)
- » [SSMA Connectors](#)
- » [2.92 mm \(K\) Connectors](#)
- » [2.40 mm Connectors](#)
- » [1.85 mm \(V\) Connectors](#)
- » [1.0 mm \(W\) Connectors](#)
- » [0.9 mm SuperMini Connectors](#)
- » [End Launch Connectors](#)
- » [Adapters](#)
- » [Cable Connectors](#)
- » [Launch Accessories](#)
- » [Installation and Tools](#)
- » [SuperMini Board-to-Board](#)
- » [SMKey](#)
- » [SSBP](#)
- » [Catalog Appendix \(PDF\)](#)





End Launch Connectors - Model Numbers

SMA
(27 GHz)

Pin Diameter		Dielectric Dia.	Standard Profile		Low Profile	
Dim A Board Pin	Dim B Internal	Dim C	Female	Male	Female	Male
0.01	0.02	0.0635	292-04A-5	293-01A-5	292-04A-6	293-01A-6
0.007	0.015	0.048	292-05A-5	293-02A-5	292-05A-6	293-02A-6
0.007	0.012	0.039	292-06A-5	293-03A-5	292-06A-6	293-03A-6
0.005	0.009	0.029	292-07A-5	293-04A-5	292-07A-6	293-04A-6

2.92mm
(40 GHz)

Pin Diameter		Dielectric Dia.	Standard Profile		Low Profile	
Dim A Board Pin	Dim B Internal	Dim C	Female	Male	Female	Male
0.01	0.02	0.0635	1092-03A-5	1093-01A-5	1092-03A-6	1093-01A-6
0.007	0.015	0.048	1092-02A-5	1093-02A-5	1092-02A-6	1093-02A-6
0.007	0.012	0.039	1092-04A-5	1093-03A-5	1092-04A-6	1093-03A-6
0.005	0.009	0.029	1092-01A-5	1093-04A-5	1092-01A-6	1093-04A-6

2.40mm
(50 GHz)

Pin Diameter		Dielectric Dia.	Standard Profile		Low Profile	
Dim A Board Pin	Dim B Internal	Dim C	Female	Male	Female	Male
0.01	0.02	0.0635	1492-02A-5	1493-01A-5	1492-02A-6	1493-01A-6
0.007	0.015	0.048	1492-01A-5	1493-02A-5	1492-01A-6	1493-02A-6
0.007	0.012	0.039	1492-03A-5	1493-03A-5	1492-03A-6	1493-03A-6
0.005	0.009	0.029	1492-04A-5	1493-04A-5	1492-04A-6	1493-04A-6

1.85mm
(67 GHz)

Pin Diameter		Dielectric Dia.	Standard Profile		Low Profile	
Dim A Board Pin	Dim B Internal	Dim C	Female	Male	Female	Male
0.007	0.012	0.039	1892-03A-5	1893-03A-5	1892-03A-6	1893-03A-6
0.005	0.009	0.029	1892-04A-5	1893-04A-5	1892-04A-6	1893-04A-6

1.0mm
(110 GHz)

Pin Diameter		Dielectric Dia.	Standard Profile		Low Profile	
Dim A Board Pin	Dim B Internal	Dim C	Female	Male	Female	Male
0.005	0.009	0.029	*	*	2492-04A-6	*
0.005	0.009	0.029	*	*	2492-04A-9	*

*Not Currently Available

DIAGRAM:

PRODUCTS



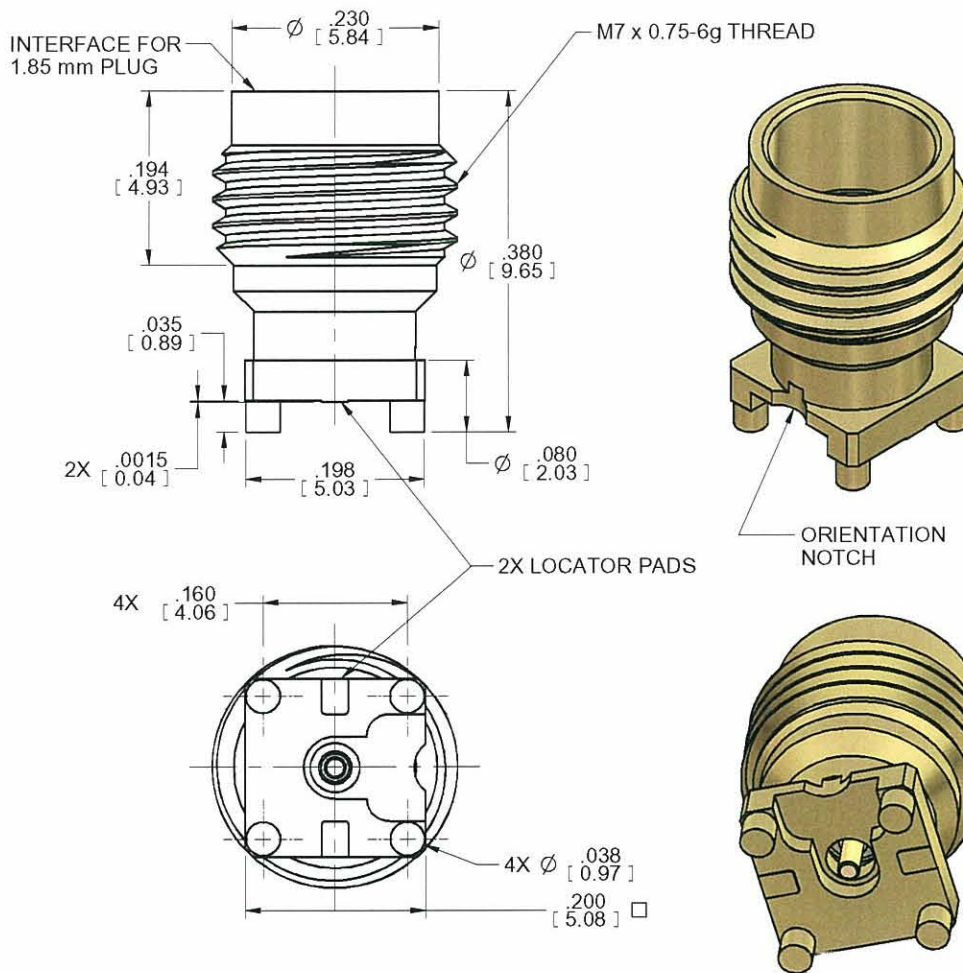
PRODUCT FINDER

- » Super SMA Connectors
- » N Connectors
- » TNC Connectors
- » SSMA Connectors
- » 2.92 mm (K) Connectors
- » 2.40 mm Connectors
- » 1.85 mm (V) Connectors
- » 1.0 mm (W) Connectors
- » 0.9 mm SuperMini Connectors
- » End Launch Connectors
- » Adapters
- » Cable Connectors
- » Launch Accessories
- » Installation and Tools
- » SuperMini Board-to-Board
- » SMKey
- » SSBP
- » Catalog Appendix (PDF)

MODEL No.:

18350-001J

NOTE: Information herein is believed by Southwest Microwave, Inc., to be accurate. However, Southwest Microwave assumes no responsibility for any omissions or errors or inaccuracies for its use or for any infringements of patents or other rights of third parties that may result from its use. Data is intended for informational purpose only and does not constitute a contract of sale or any express or implied warranty, including any warranty of merchantability or fitness for a particular purpose



- 4. FOR SOLDER PAD DIMENSIONS SEE DRAWING 91BT62623.
- 3. MATERIAL AND FINISH:
 - 3.1 MATERIALS
 - 3.1.1 CENTER CONTACT AND HOUSING:
 - BeCu ALLOY
 - 3.1.2 DIELECTRIC BEAD:
 - PEEK HT
 - 3.2 FINISHES
 - 3.2.1 CENTER CONTACT AND HOUSING:
 - GOLD PLATE PER MIL-DTL-45204
- 2. CONNECTOR DESIGN IS COMPATIBLE WITH CURRENT MATERIAL AND PROCESS REQUIREMENTS FOR RoHS AND WEEE PER EUROPEAN COMMUNITY DIRECTIVE 2002/95/EC.
- 1. ALL DIMENSIONS ARE IN INCHES. ALL ANGLES ARE IN DEGREES. DIMENSIONS SHOWN IN BRACKETS [XXX] ARE IN MILLIMETERS.

NOTES: UNLESS OTHERWISE SPECIFIED.

ECN. 9416	REV. BY: D HAKE	APRVD: B. CLYATT	DATE: 11/4/15	APRVD: B. CLYATT	DATE: 1/27/14
--------------	--------------------	---------------------	------------------	---------------------	------------------



Southwest Microwave, Inc.
9055 South McKemy Street
Tempe, Arizona 85284-2946
Telephone (480) 783-0201
Fax (480) 783-0360

TITLE
JACK, 1.85 mm, VERTICAL MOUNT
4 POST, THRU HOLE

DRN BY:
D HAKE

DATE:
03/05/13

MODEL NO.
18350-001J

REV.

C

SHEET: 1 OF 1

DWG. NO.
79RV61076